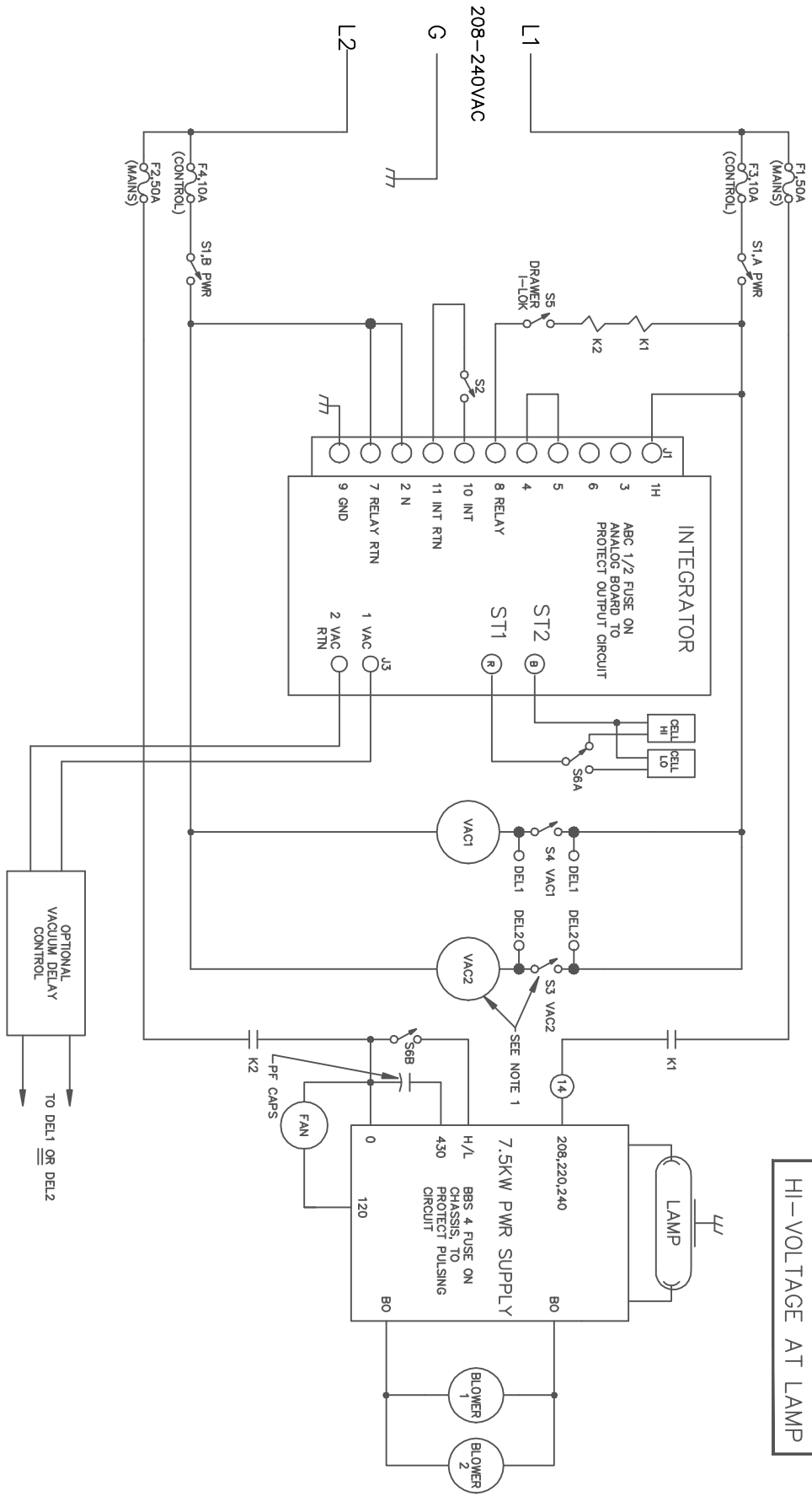


SYM	REVISION	BY	DATE	APD
-----	----------	----	------	-----

CAUTION:
DO NOT MEASURE
HI-VOLTAGE AT LAMP



NOTES:

1. SWITCH S3 & VAC2 USED ONLY ON DS MODELS
2. VAC PUMPS MUST BE DERATED IF RUN ON OTHER THAN RATED VOLTAGE.

ITEM REQ'D	PART NUMBER	NOMENCLATURE	
		SCHEMATIC, MAGNUM 7.5KW	
TITLE:		AMERGRAPH	
MATERIAL:		SIZE	DRWN. R/L
FINISH:		C	03/12/92
UNLESS OTHERWISE SPECIFIED		APP'D	DRWG NUMBER
FRACT. ± 1/64			70070
TOLERANCES ARE:			REV
ANGULAR 1/2°			
HOLE DIA'S ± .005			
DECIMAL ± .005			
DO NOT SCALE THIS PRINT		ALL DIMENSIONS ARE IN INCHES REMOVE ALL SHARP EDGES	